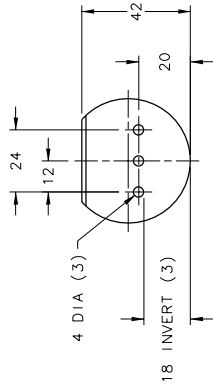
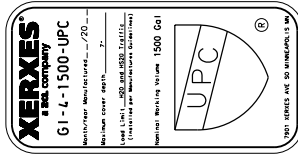


NOTE:

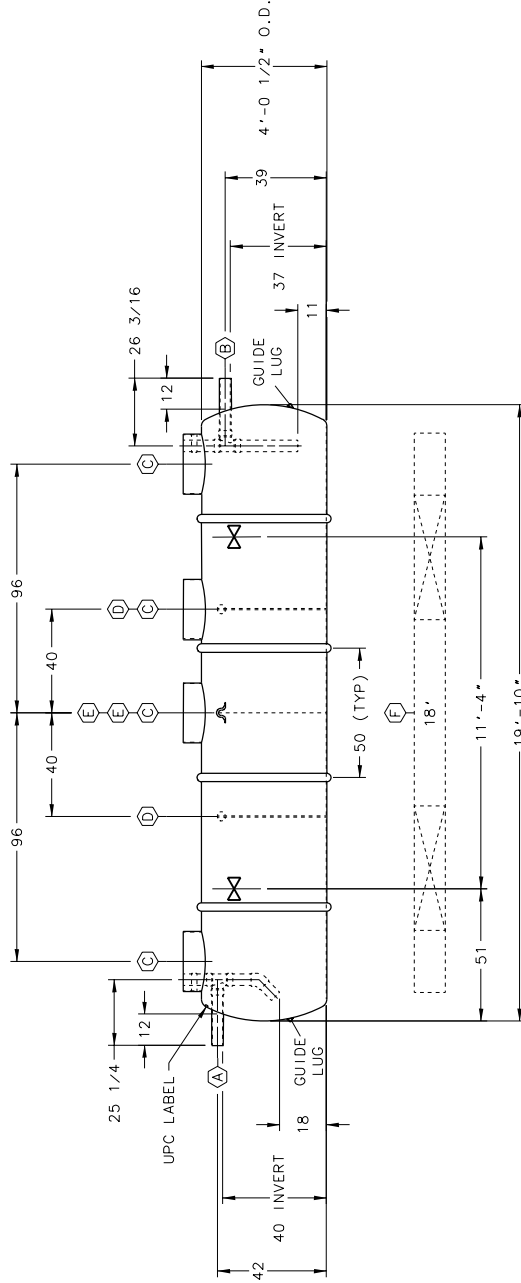
- 1 - INVERT DIMENSION FROM TANK I. D.
- 2 - TANK HAS IAPMO LABEL.
- 3 - OPTIONAL PREFABRICATED DEADMEN SHOWN. IF DEADMEN ARE ADDED TO THE ORDER, ACCOMMODATIONS MAY BE REQUIRED TO SECURE THE STRAPS TO THE DEADMEN.
- 4 - NOMINAL TANK WEIGHT: 1,700 LBS.



BAFFLE DETAIL



G1 RATED CAPACITY
1500 GALLONS



ITEM	QTY	DESCRIPTION
(A)	1	4"DIA SCH 40 PVC INLET PIPE WITH INTERNAL SANITARY TEE, PIPES & 45° ELBOW
(B)	1	4"DIA SCH 40 PVC OUTLET PIPE WITH INTERNAL SANITARY TEE & PIPES
(C)	4	RISER PIPE, 23 3/8" O.D., FOR 24"(NOMINAL) ACCESS OPENING
(D)	2	7/8 PLATE BAFFLE (18" INVERT) WITH 3-4"DIA HOLES
(E)	2	LIFTING LUG
(F)	2	18" PREFABRICATED CONCRETE DEADMEN (OPTIONAL)
(X)	2	HOLD DOWN STRAP LOCATION

REVISION DESCRIPTION		DATE	BY	CHKD
0				

XERXES a xcl company		TITLE: 4" DIA SW	
PART: G1-4-15		CAP: 1,800 GALLONS	
MODEL: G1-4-1500-PHX-LPC		MATERIAL: PHENIX	
SIZE: D	658-544	REV: 00	
INDUSTRY TYPE: M210 PLUMBING ENGINEERED SOLUTIONS		SHEET 1 OF 1	